

HW: Worksheet (on Google Classroom)

What is surface area?

Find the surface area.

$$13 \text{ m} \cdot 8 \text{ m} = 104 \text{ m}^2$$

$$104$$

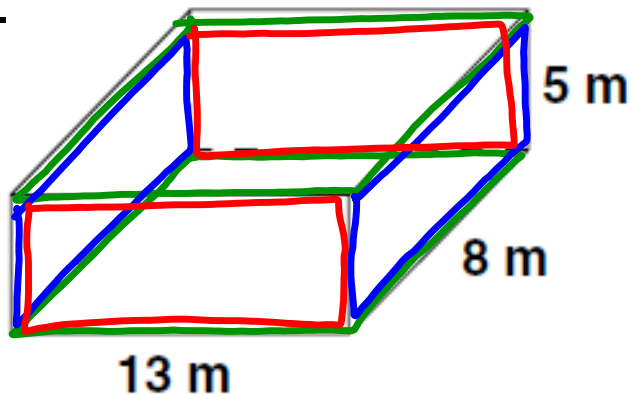
$$5 \cdot 8 = 40$$

$$40$$

$$13 \cdot 5 = 65$$

$$65$$

$$\begin{array}{r} 65 \\ \hline 418 \end{array}$$



$$418 \text{ m}^2$$

Find the surface area.

$$5 \cdot 4 = 20$$

$$20$$

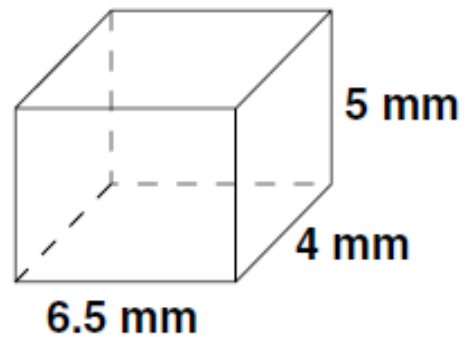
$$6.5 \cdot 4 = 26$$

$$26$$

$$6.5 \cdot 5 = 32.5$$

$$32.5$$

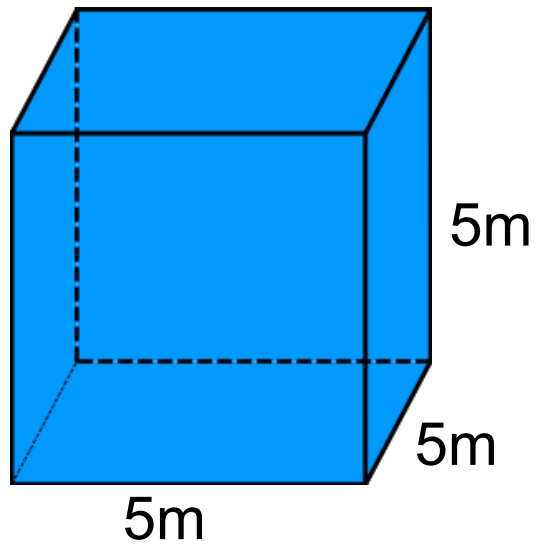
$$157 \text{ mm}^2$$



Find the surface area.

$$5 \cdot 5 = 25$$
$$\times 6$$

$$150 \text{ m}^2$$



Find the surface area.

$$4 \cdot 6 = 24$$

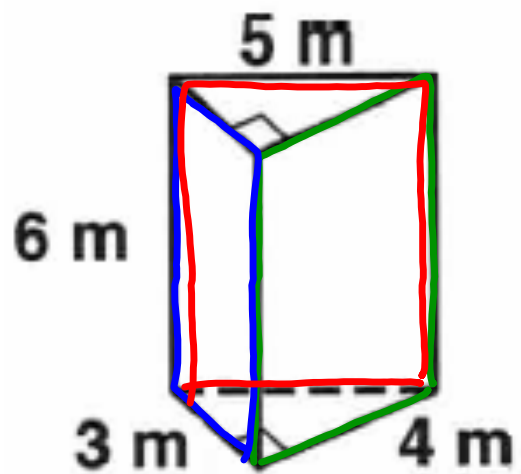
$$3 \cdot 6 = 18$$

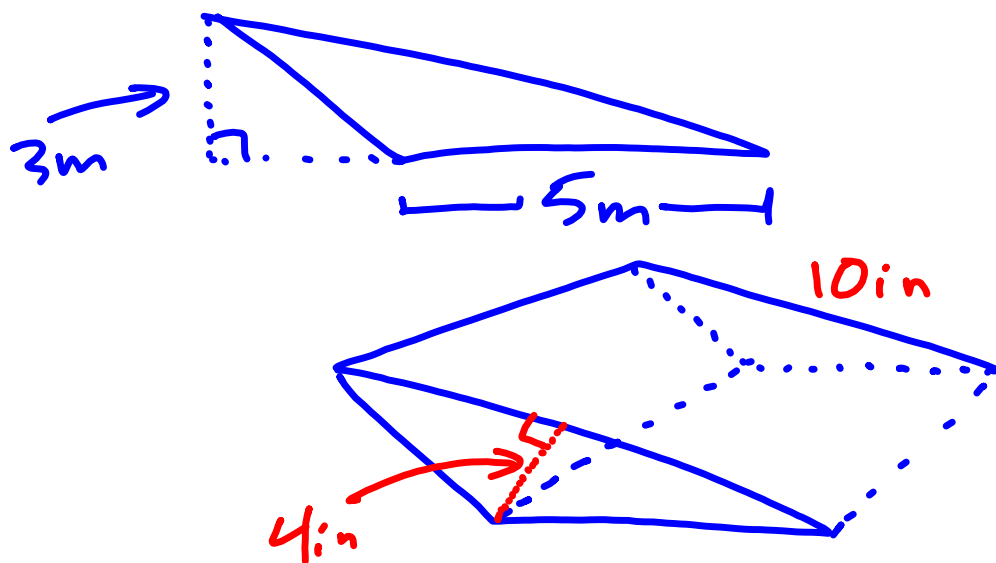
$$5 \cdot 6 = 30$$

$$\frac{1}{2} \cdot 3 \cdot 4 = 6$$

6

$$\underline{84 \text{ m}^2}$$





Find the surface area.

$$15 \cdot 18 = 270$$

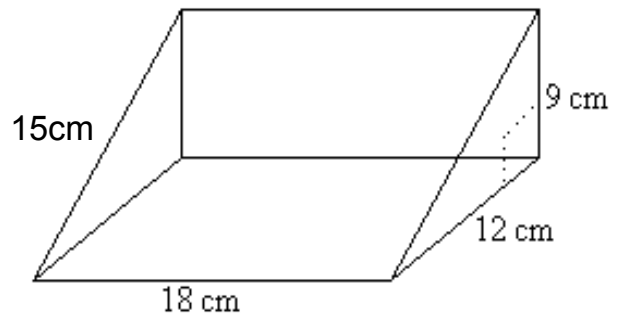
$$18 \cdot 12 = 216$$

$$18 \cdot 9 = 162$$

$$\frac{1}{2} \cdot 9 \cdot 12 = 54$$

$$54$$

$$756 \text{ cm}^2$$



Find the surface area.

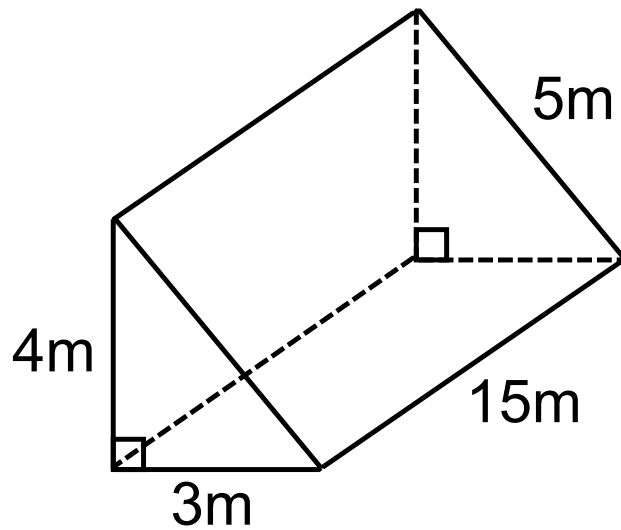
$$\frac{1}{2} \cdot 3 \cdot 4 = 6$$

$$15 \cdot 5 = 75$$

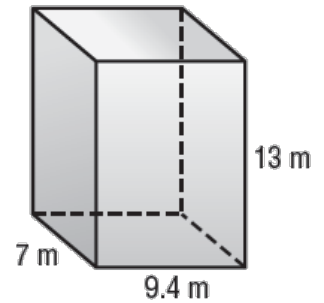
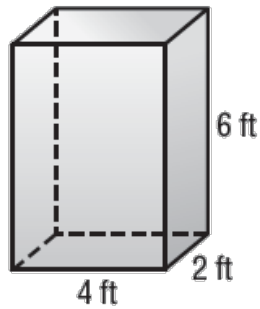
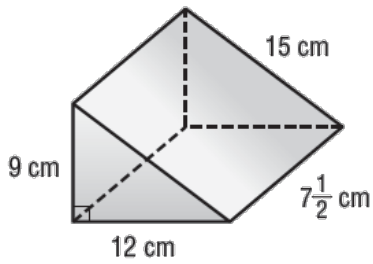
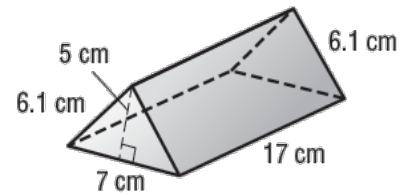
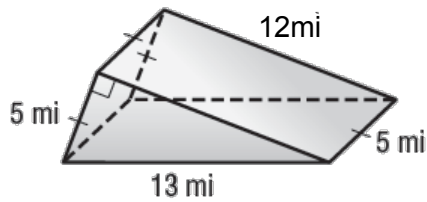
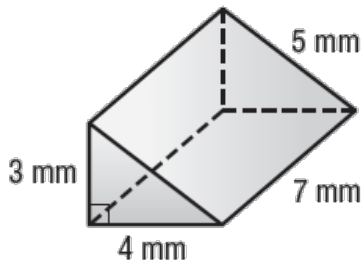
$$4 \cdot 15 = 60$$

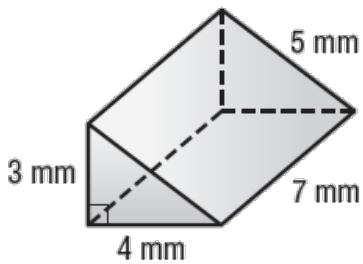
$$3 \cdot 15 = 45$$

$$192 \text{ m}^2$$



Find the surface area.





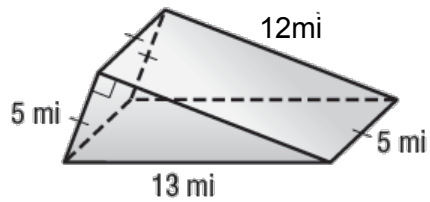
$$\frac{1}{2} \cdot 3 \cdot 4 = 6$$

$$3 \cdot 7 = 21$$

$$4 \cdot 7 = 28$$

$$5 \cdot 7 = 35$$

$$96 \text{ mm}^2$$



$$\frac{1}{2} \cdot 12 \cdot 5 = 30$$

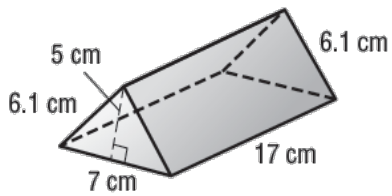
$$30$$

$$5 \cdot 5 = 25$$

$$12 \cdot 5 = 60$$

$$13 \cdot 5 = 65$$

$$210 \text{ mi}^2$$



$$\frac{1}{2} \cdot 7 \cdot 5 = 17.5$$

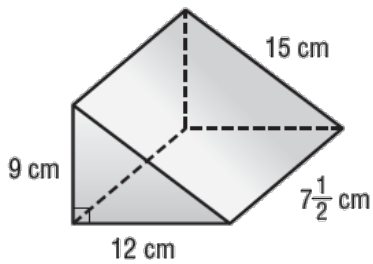
$$17.5$$

$$7 \cdot 17 = 119$$

$$6.1 \cdot 17 = 103.7$$

$$103.7$$

$$361.4 \text{ cm}^2$$



$$\frac{1}{2} \cdot 12 \cdot 9 = 54$$

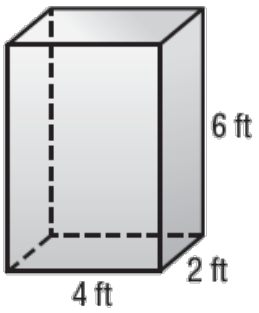
$$54$$

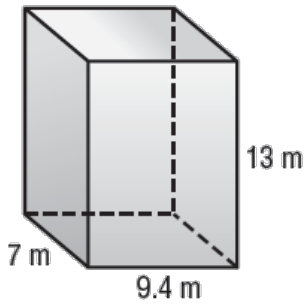
$$9 \cdot 7.5 = 67.5$$

$$12 \cdot 7.5 = 90$$

$$15 \cdot 7.5 = 112.5$$

$$378 \text{ cm}^2$$





March 15, 2022

