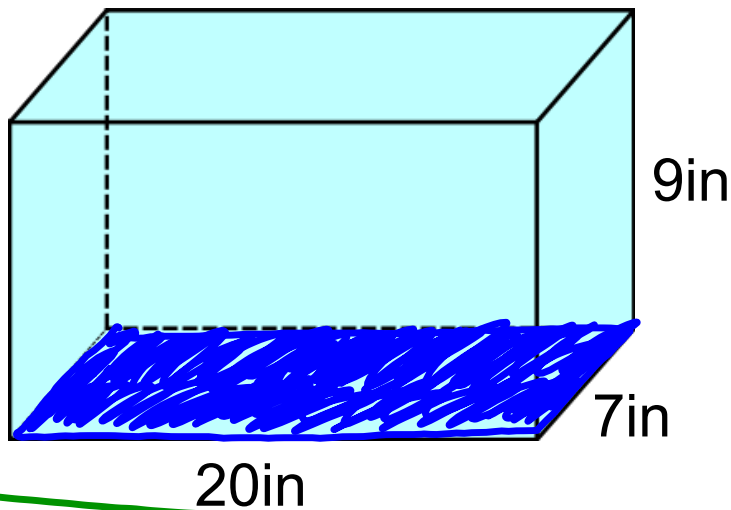


HW: Worksheet/1-14

Warm up:

Find the volume.

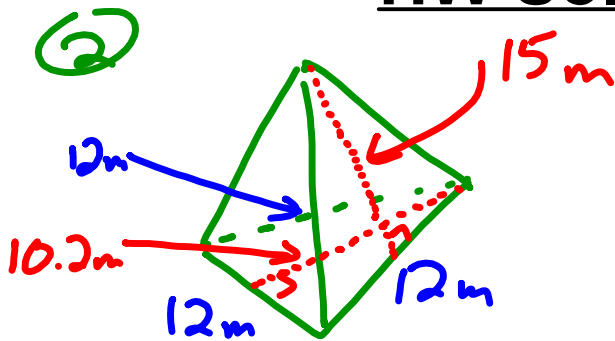
$$V = lwh = 20 \cdot 7 \cdot 9 = 1260 \text{ in}^3$$



$$V(\text{prism}) = Bh$$

area of the base

HW Solutions



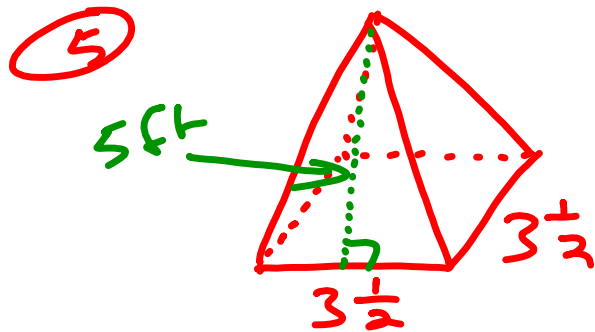
$$\frac{1}{2} \cdot 12 \cdot 10.2 = 61.2$$

$$\frac{1}{2} \cdot 12 \cdot 15 = 90$$

$$90$$

$$90$$

$$331.2 \text{ m}^2$$



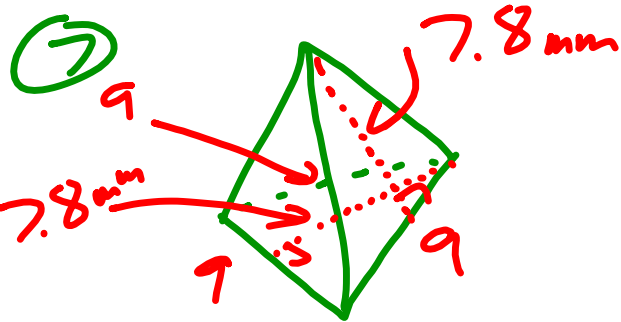
$$3.5 \cdot 3.5 = 12.25$$

$$\frac{1}{2} \cdot 3.5 \cdot 5 = 8.75$$

$$\times 4$$

$$47.25$$

47.3 ft^3



$$\frac{1}{2} \cdot 9 \cdot 7.8 = 35.1$$

x 4

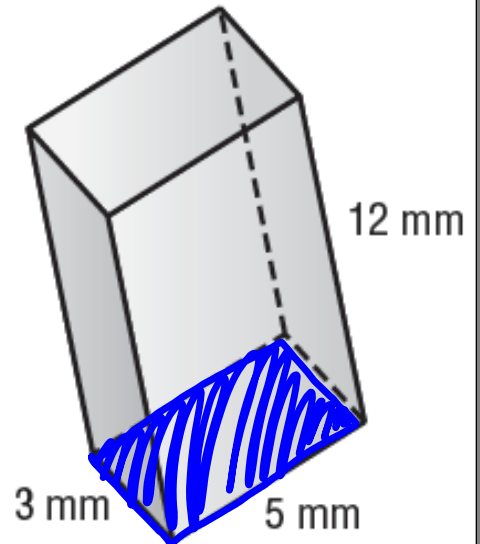
$$140.4 \text{ mm}^2$$

Find the volume.

$$V(\text{prism}) = Bh$$

$$3 \cdot 5 \cdot 12$$

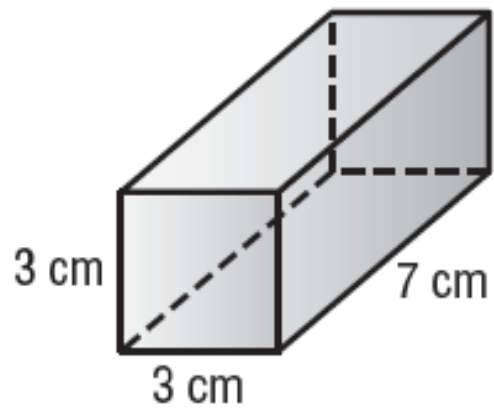
$$180 \text{ mm}^3$$



Find the volume.

$$3 \cdot 7 \cdot 3$$

$$63 \text{ cm}^3$$

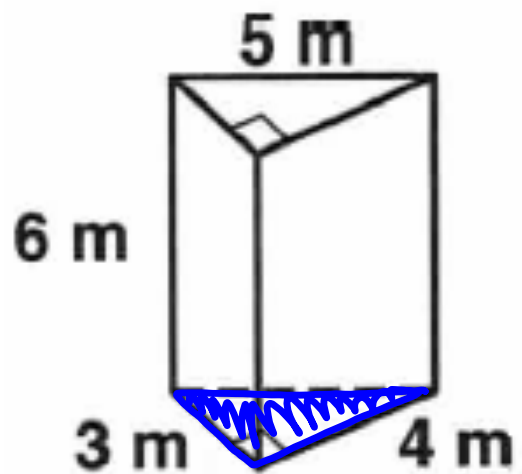


Find the volume.

$$V(\text{prism}) = Bh$$

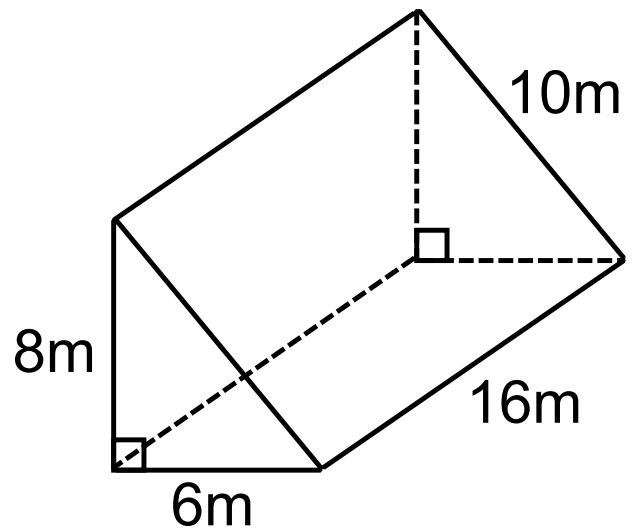
$$\frac{\frac{1}{2} \cdot 3 \cdot 4}{B} \cdot \frac{6}{h}$$

$$36\text{m}^3$$

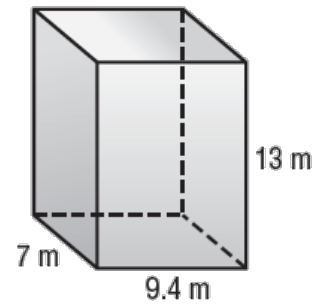
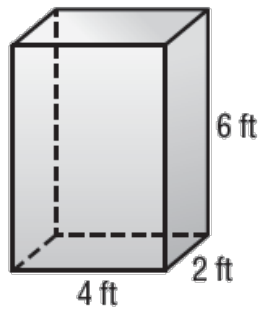
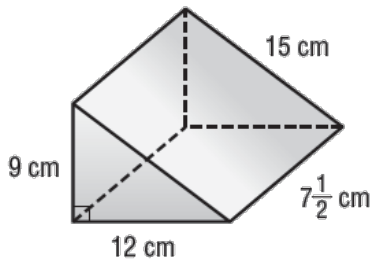
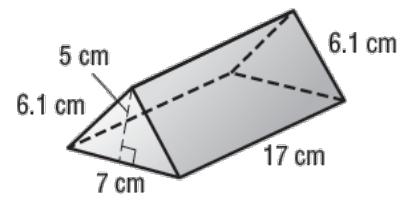
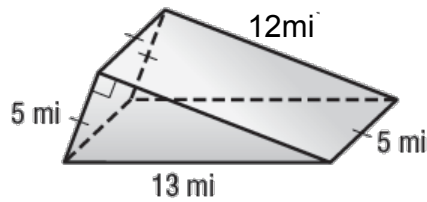
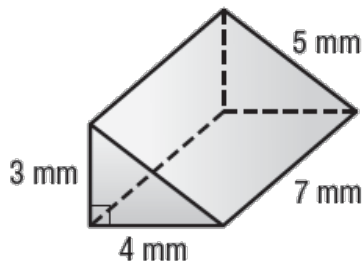


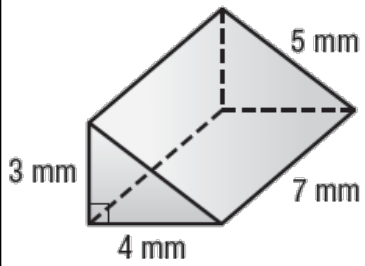
Find the volume.

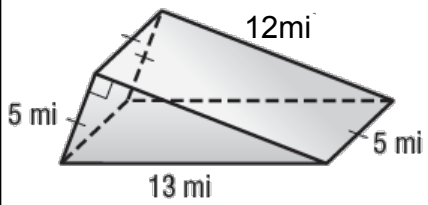
$$\frac{1}{2} \cdot 8 \cdot 6$$

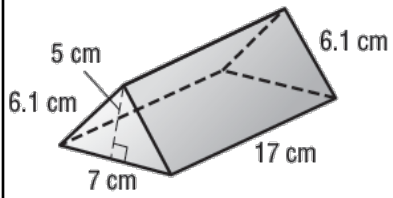


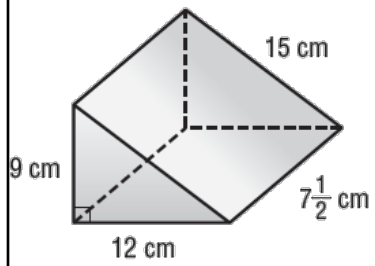
Find the volume.

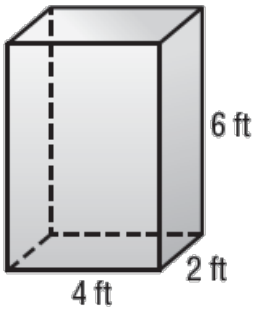


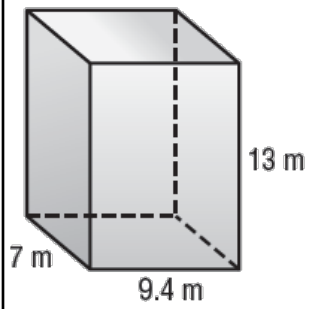












March 18, 2022

