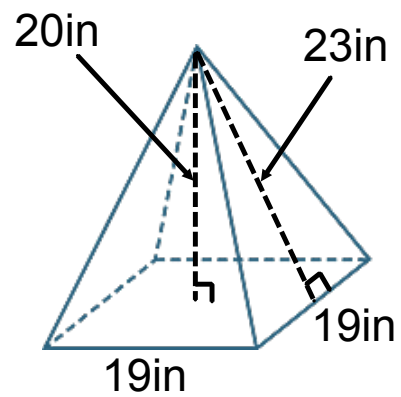
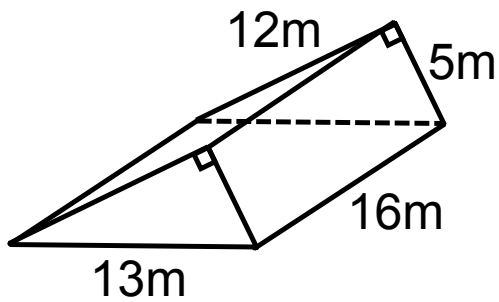


HW: Worksheet

Warm up:

Find the volume.



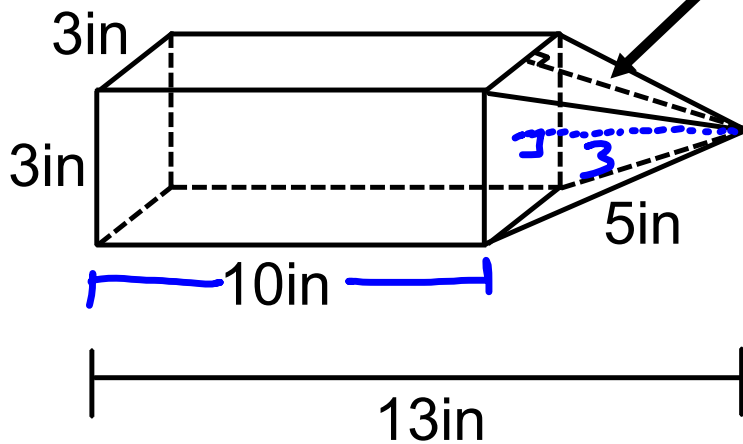
Find the volume.

$$V(\text{pyramid}) = \frac{1}{3} B h$$

$$3 \cdot 3 \cdot 10 = 90$$

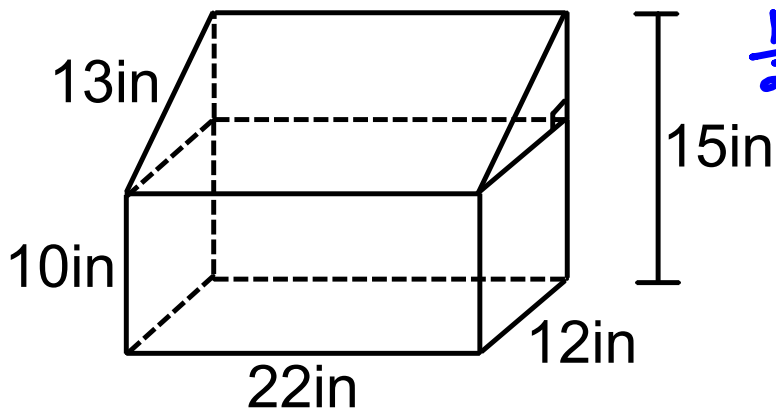
$$\frac{1}{3} (3 \cdot 3) (3) = 9$$

$$\underline{\underline{99 \text{ in}^3}}$$



Practice

Find the volume.

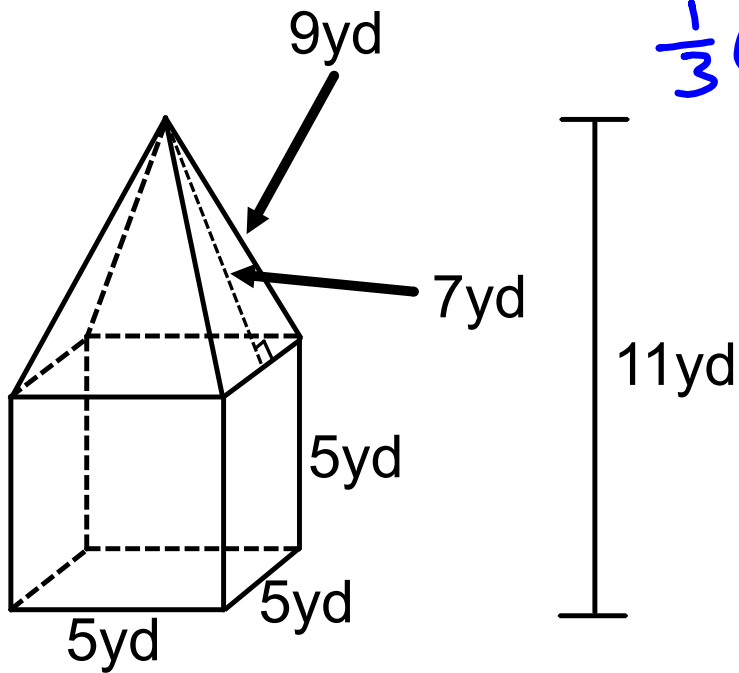


$$10 \cdot 22 \cdot 12 = 2640$$

$$\frac{1}{2} \cdot 12 \cdot 5 \cdot 22 = 660$$

$$3300 \text{ in}^3$$

Find the volume.

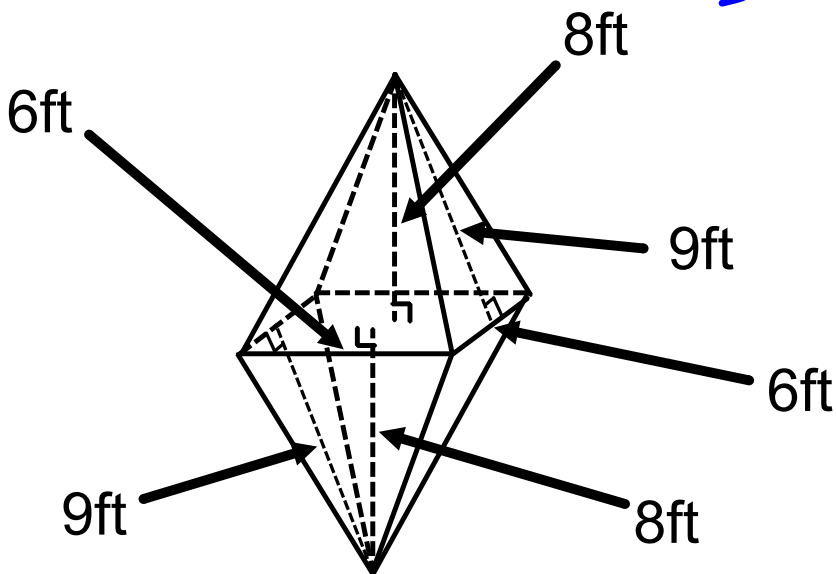


$$5 \cdot 5 \cdot 5 = 125$$

$$\frac{1}{3}(5 \cdot 5)(7) = 50$$

$$175 \text{ yd}^3$$

Find the volume.



$$\frac{1}{3} \cdot 6 \cdot 6 \cdot (8) = 96$$

$$96$$

$$192 \text{ft}^3$$

