

~~HW. pg. 305/1, 2, 4, 5, 7 (find surface area only)~~

Warm up:

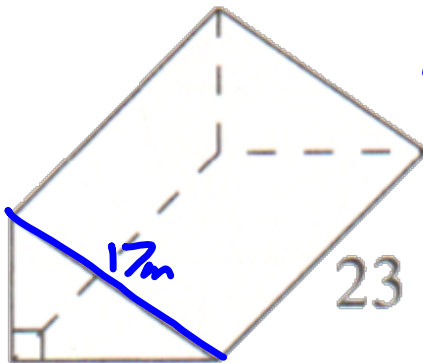
Find the surface area.

$$8^2 + 15^2 = x^2$$

$$\begin{array}{r} 64 + 225 \\ \hline 289 = x^2 \end{array}$$

$$17 = x$$

8 m



15 m

$$\frac{1}{2} \cdot 8 \cdot 15 = 60$$

$$15 \cdot 23 = 345$$

$$8 \cdot 23 = 184$$

$$17 \cdot 23 = 391$$

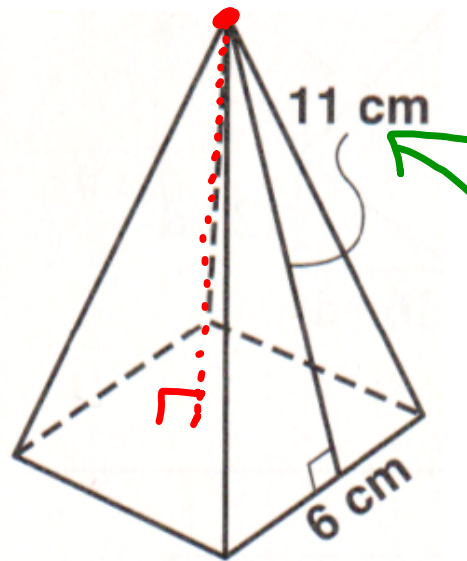
$$\underline{\underline{1040 \text{ m}^2}}$$

Find the surface area.

$$6 \cdot 6 = 36$$

$$\frac{1}{2} \cdot 6 \cdot 11 = 33$$

$$168 \text{ cm}^2$$



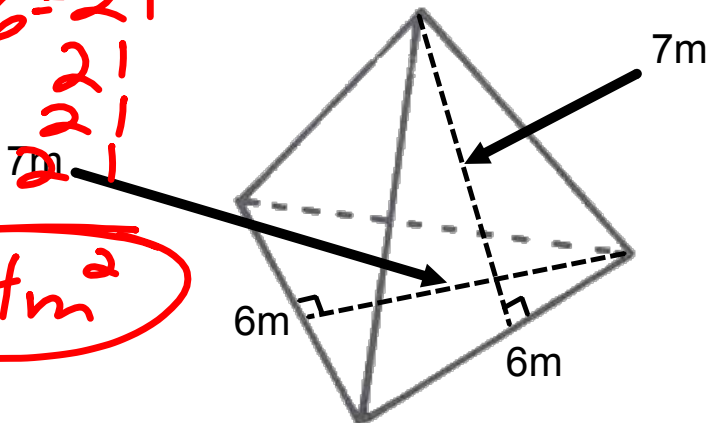
slant height

Find the surface area.

$$\frac{1}{2} \cdot 7 \cdot 6 = 21$$

$$\begin{array}{r} 21 \\ 21 \\ 21 \\ 21 \\ \hline 84 \end{array}$$

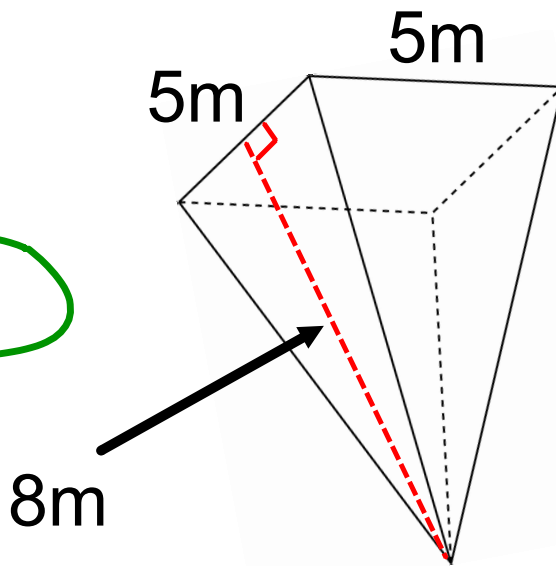
$$84\text{m}^2$$



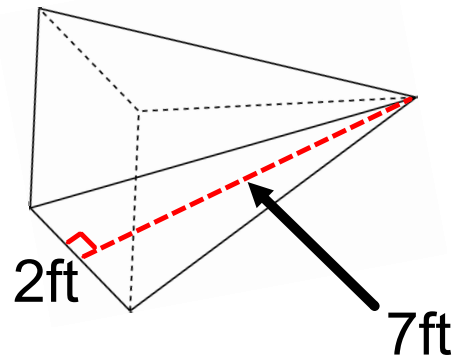
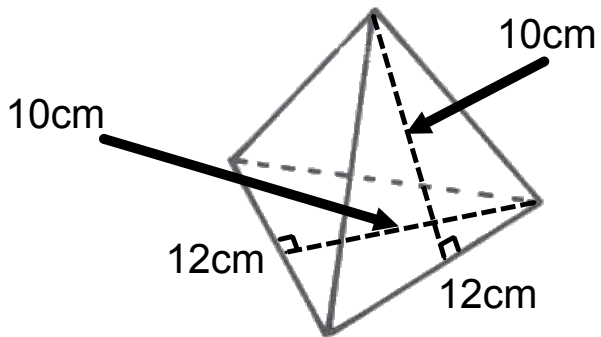
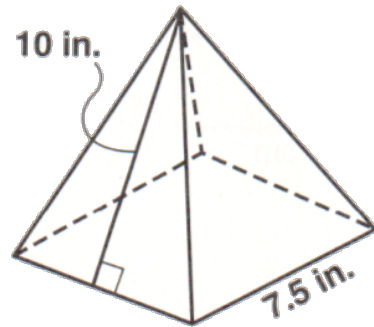
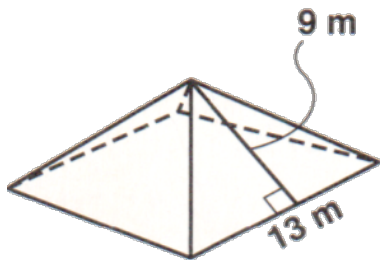
$$\frac{1}{2} \cdot 8 \cdot 5 = 20$$

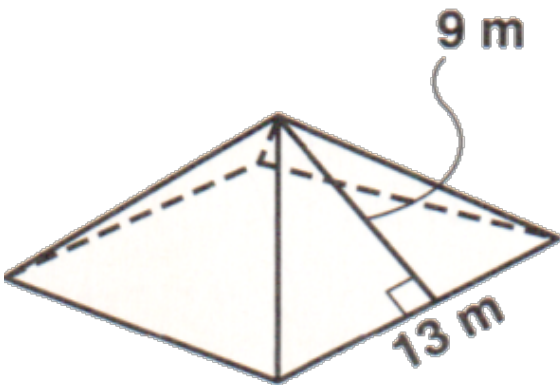
$$5 \cdot 5 = 25$$

$$105 \text{ m}^2$$



Find the surface area.





$$\frac{1}{2} \cdot 9 \cdot 13 = 58.5$$

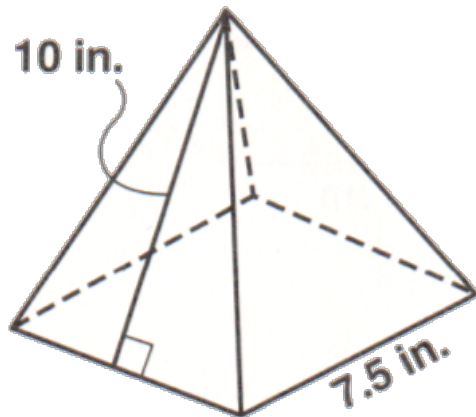
$$58.5$$

$$58.5$$

$$58.5$$

$$13 \cdot 13 = 169$$

$$403 \text{ m}^2$$

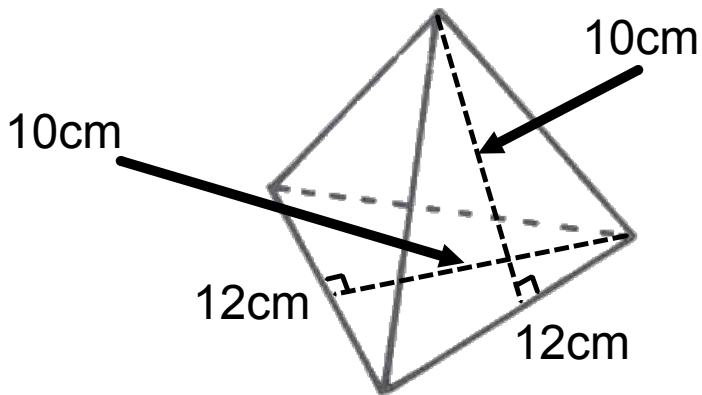


$$\frac{1}{2} \cdot 10 \cdot 7.5 = 37.5$$

37.5
37.5
37.5
37.5

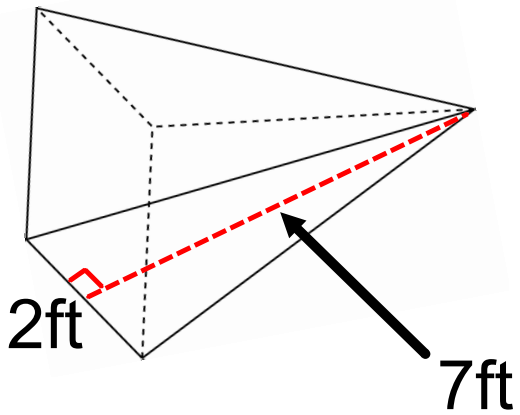
$$7.5 \cdot 7.5 = 56.25$$

$$206.25 \text{ in}^2$$



$$\frac{1}{2} \cdot 10 \cdot 12 = 60$$
$$\times 4$$

240 cm²



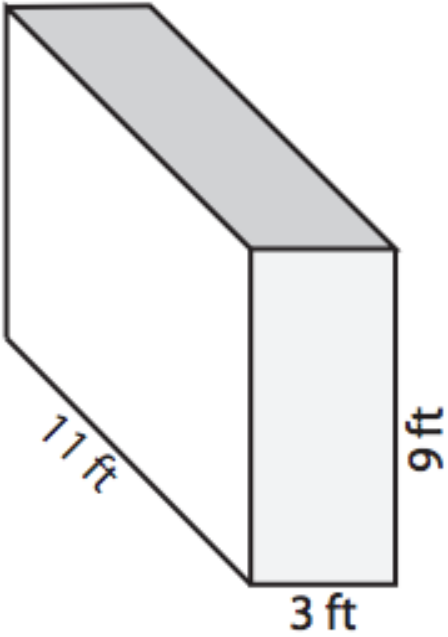
$$2 \cdot 2 = 4$$

$$\frac{1}{2} \cdot 2 \cdot 7 = 7$$

7
7
7
7

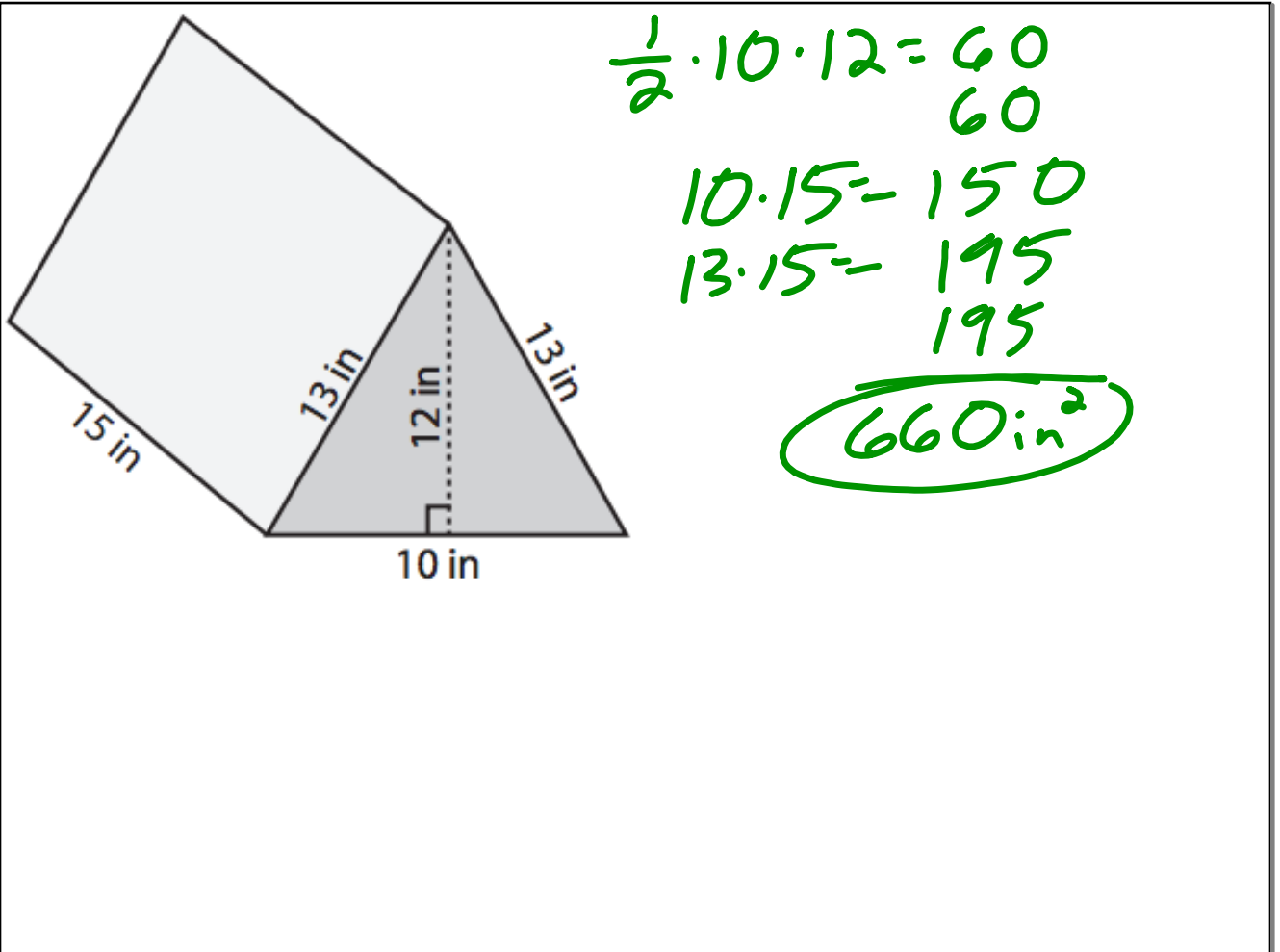
32ft³

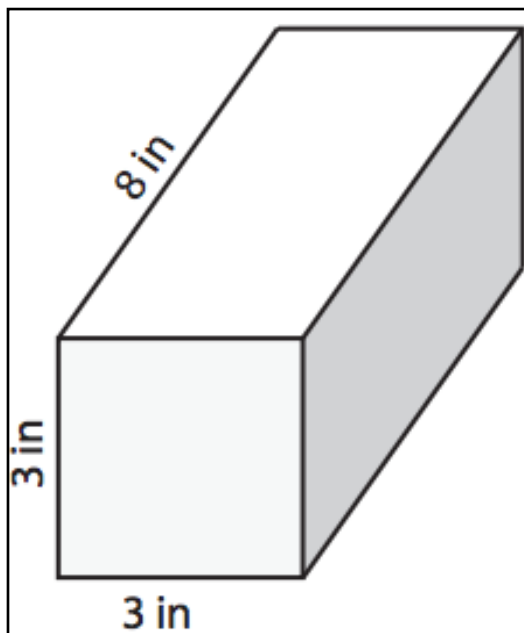
Showdown



$$\begin{aligned} 3 \cdot 11 &= 33 \\ 9 \cdot 3 &= 27 \\ 9 \cdot 11 &= 99 \end{aligned}$$

$$318 \text{ ft}^2$$





$$\begin{array}{r} 3 \cdot 3 = 9 \\ 9 \\ 3 \cdot 8 = 24 \\ \underline{24} \\ 24 \\ \underline{24} \\ 24 \\ \hline 114 \text{ in}^2 \end{array}$$

